

Tel. 1 613 841 1824
Fax 1 613 841 5151
america@rgklife.com
www.rgklife.com

Issue 3 | July 2003 | Bi-Weekly

North America
RGK Wheelchairs Inc.
1932 Danniston Crescent Orleans
Ontario K1E 3R6 Canada

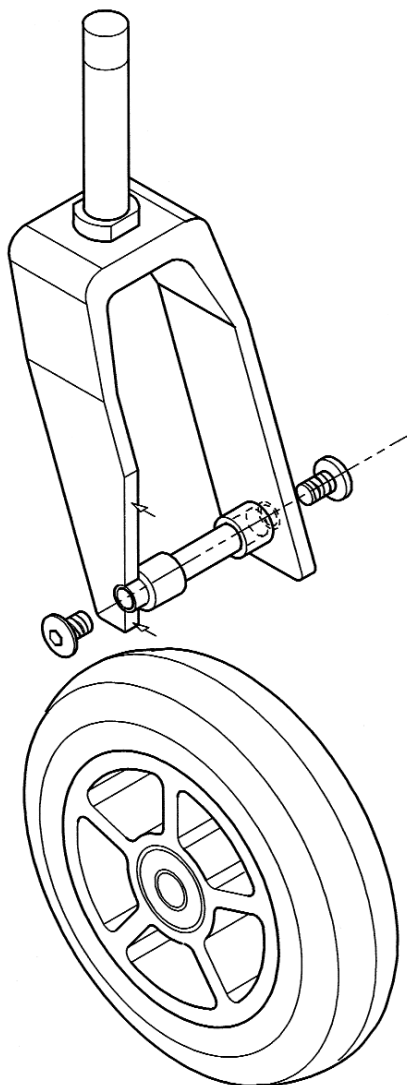
RGK Bespoke

RGK are pleased to introduce our bi-weekly dealer information update

PRODUCT NEWS

New Mounting System For Castor Wheels

All new RGK Chairs will be supplied with an improved Castor Spindle. This will see the Wheel rotating on a common Spindle, with no possibility for over tightening and "side loading" the bearing. Castor forks will also be drilled to 8mm to accommodate the new spindle. The system also benefits from the improved aesthetics of using two Button Head Allen Screws for location.



More Castor Updates

4" (100mm) and 70 mm in line flashing castors now available. 5" (125mm) Pneumatic Castor added to available options.

GB Sponsorship deal for Athens 2004

RGK is once again sponsoring the British Paralympian Basketball teams at the forthcoming 2004 Paralympic Games which are to be held in Athens.

RGK are continuing a strong commitment to our British Paralympians by signing up a sponsorship deal for the team until 2005, this will see both squads using state of the art Interceptor chairs with Spinerger wheels.

RGK Team Contacts

Reg McClellan - President
America@rgklife.com

For general enquiries
info@rgklife.com

Tel. 1 613 841 1824 Fax 1 613 841 5151

RGK always pushing to be better, faster, and stronger